



## PROFESSIONAL TIMING

### HL 7-1 / 7-3 Start Gate

## USERS MANUAL

### In General

The TAG Heuer start gate responds to the most severe criteria. Its' high quality mecanical construction guarantees for remarquable accuracy and solidity in all conditions.

### Specifications

- In accordance with FIS requirements, the HL 7-1 start gate features two isolated timing contacts.
- While closed, the start gate is prevented from accidental opening caused by minor knocks and bumps through the use of a blocking feature.
- Braking action built into the wand mechanism camshaft is very effective at eliminating unwanted rebound action after opening.
- The wand is installed by inserting it through the rear of the shaft holder and is held in place by a spring-mounted ball bearing.
- The start gate is fixed through a chain and screw system.

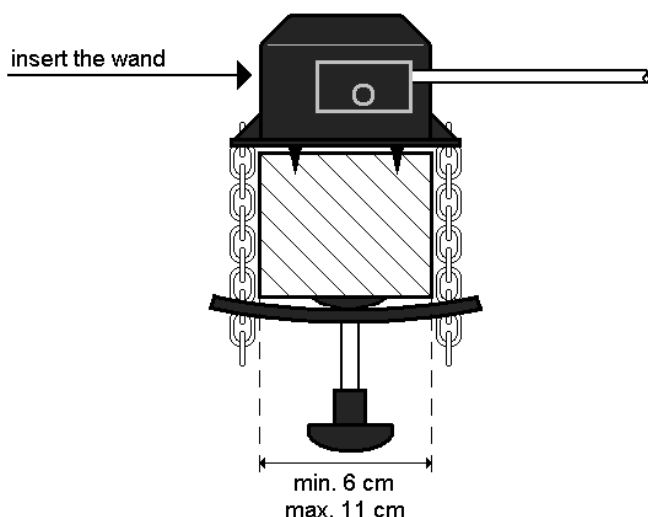
### To install

- Fix the gate to a wooden start post using the chain and screw system (no need to screw to tight). The start gate must be fixed in CLOSED position.
- Insert the wand from the outer side of the wing.
- Connect different devices as shown in scheme 2.

### Important

**The Start gate must always be in CLOSED position when you don't use it.**

### Scheme 1 (top view)



### Scheme 2 (bottom view)

